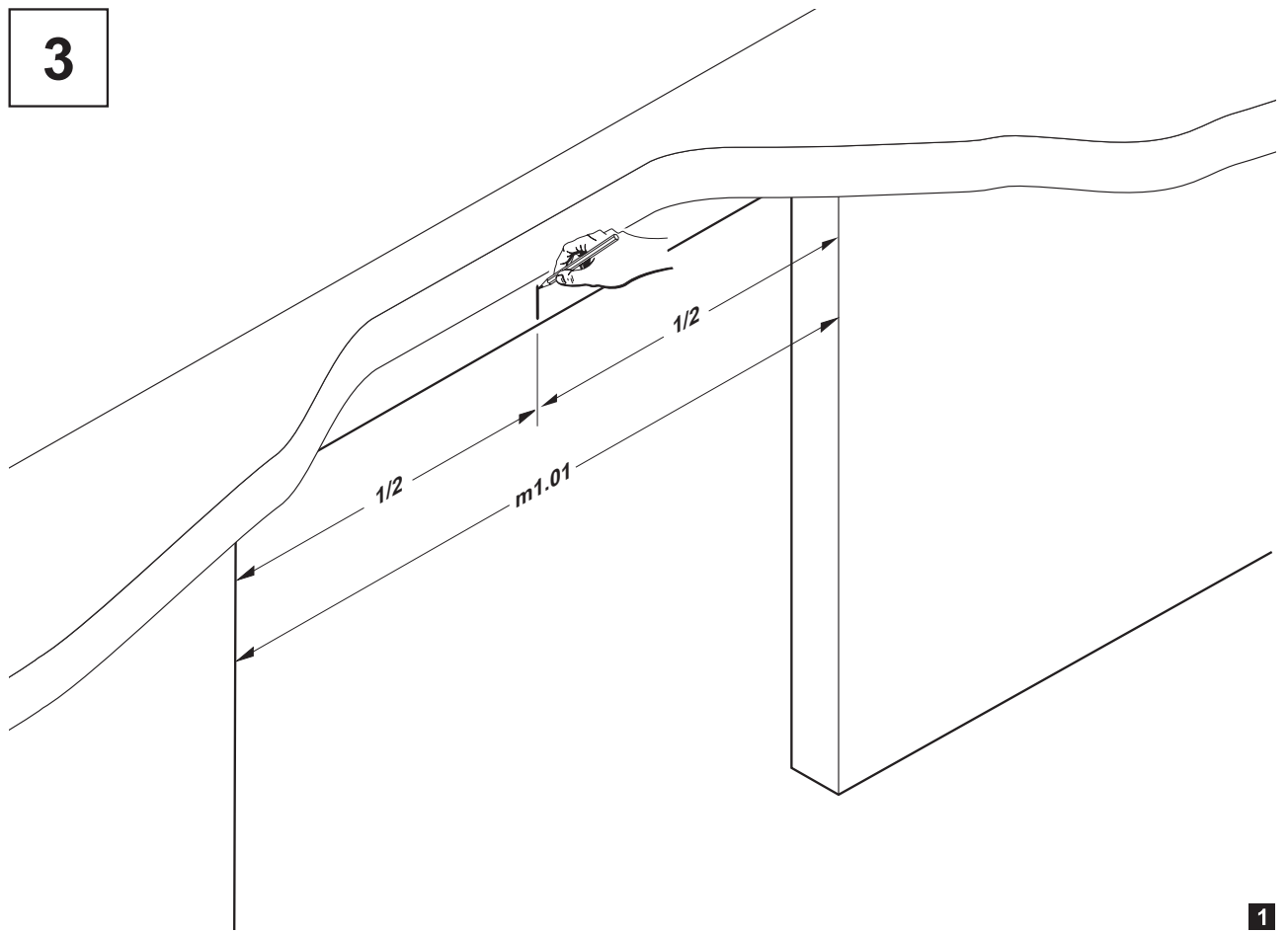




3

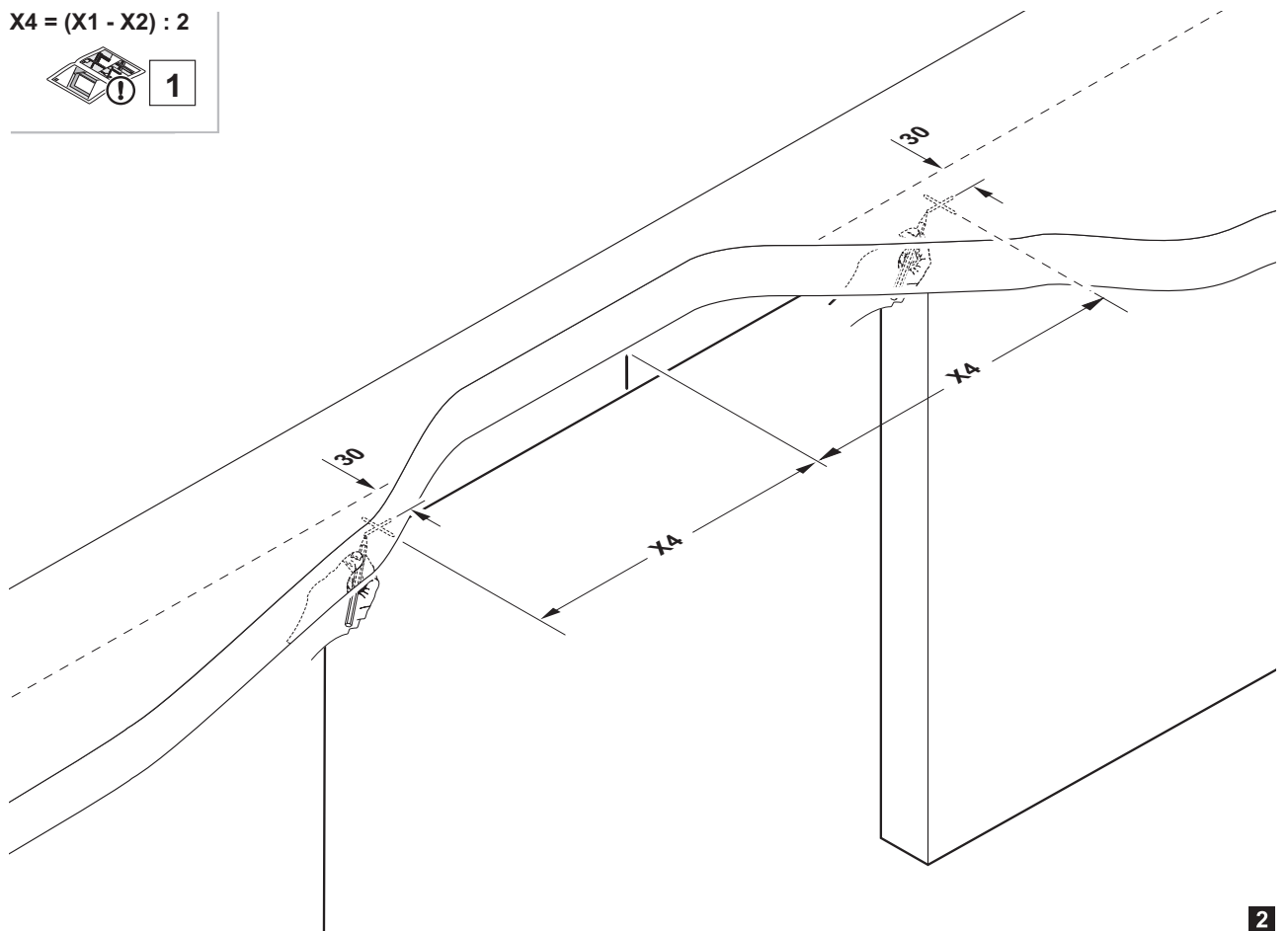


1

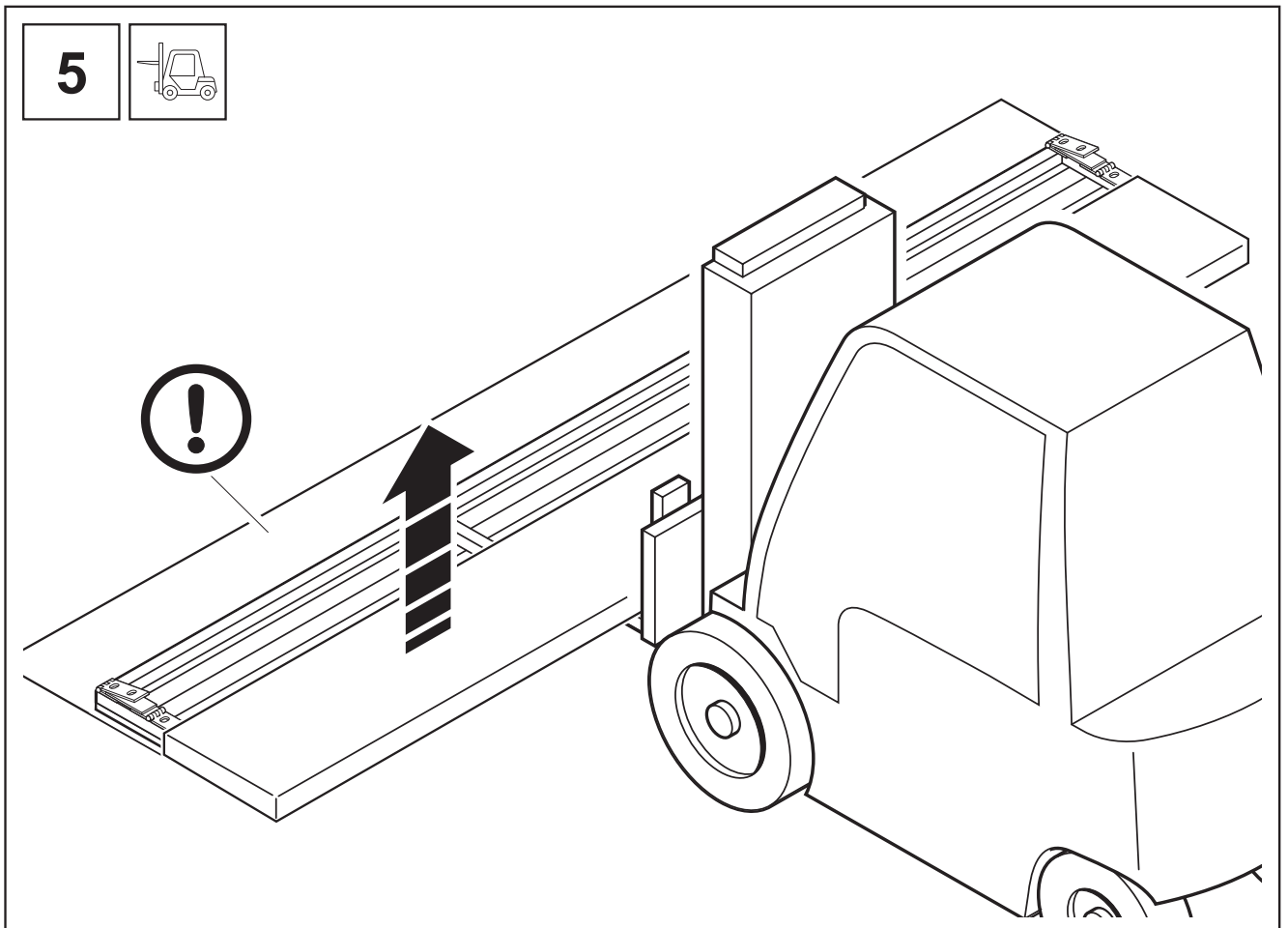
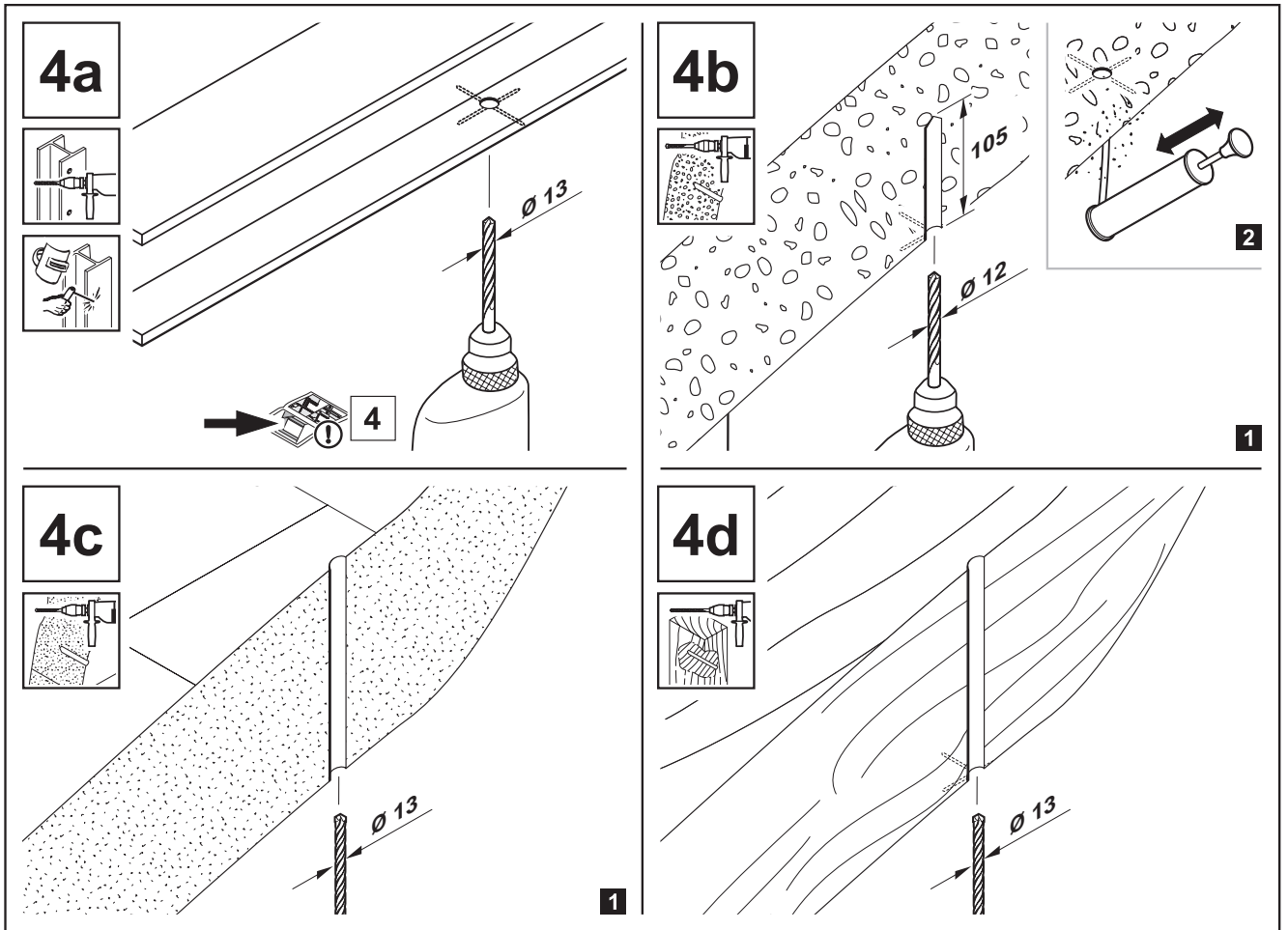
$X4 = (X1 - X2) : 2$

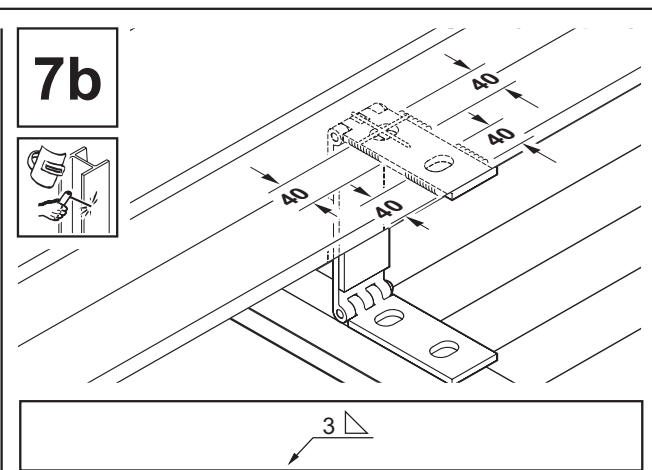
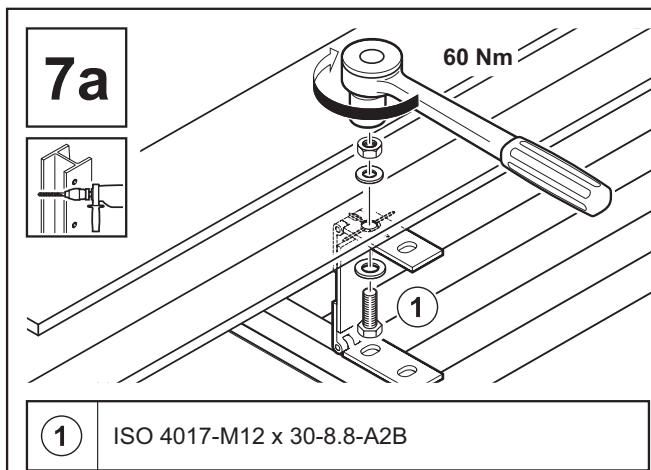
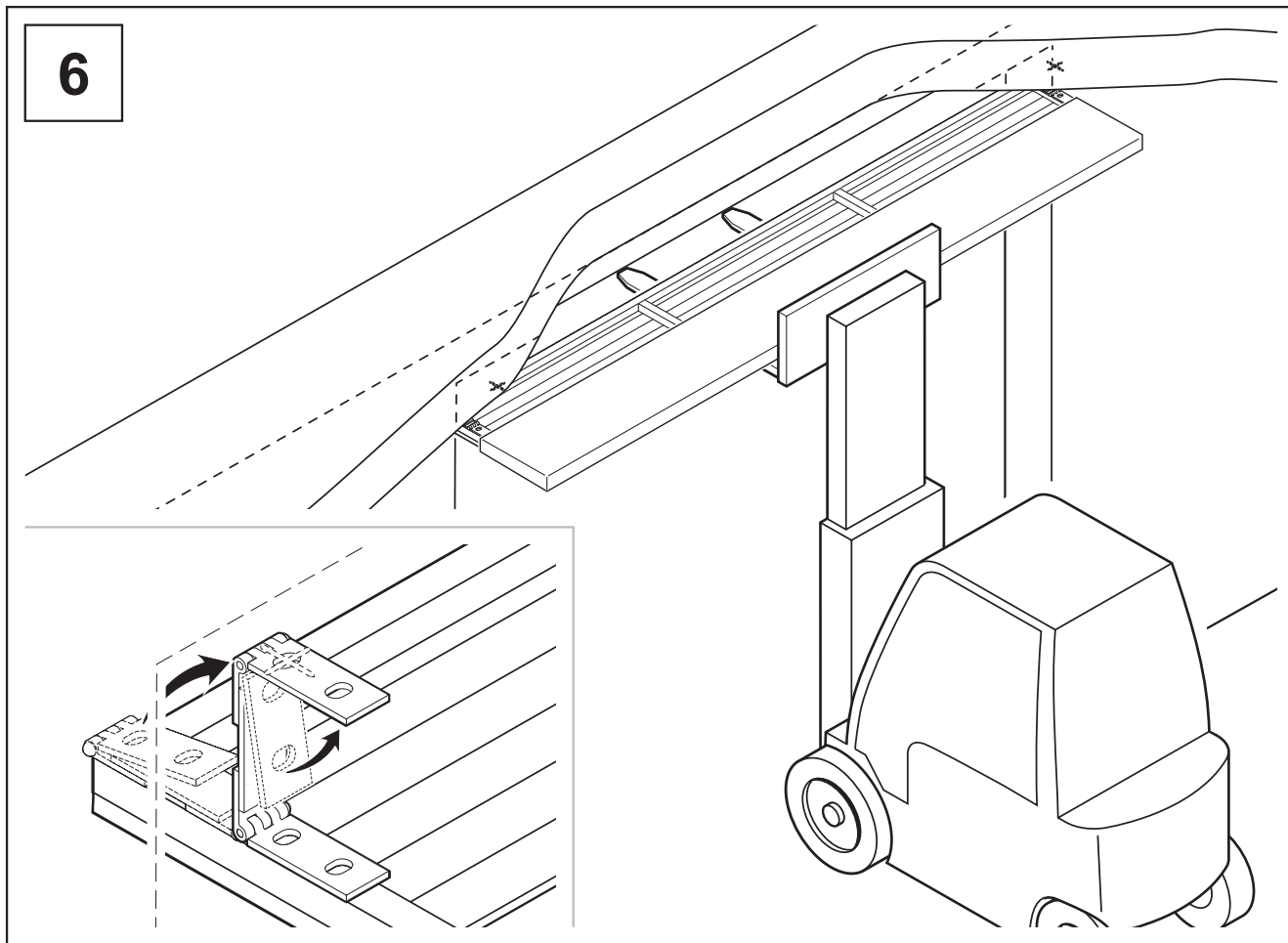


1

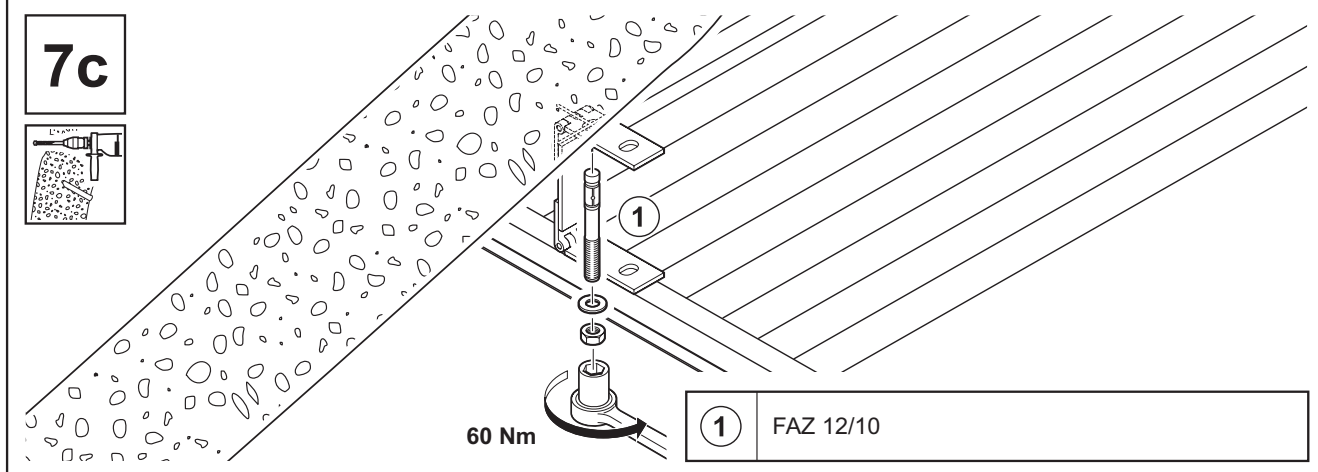


2

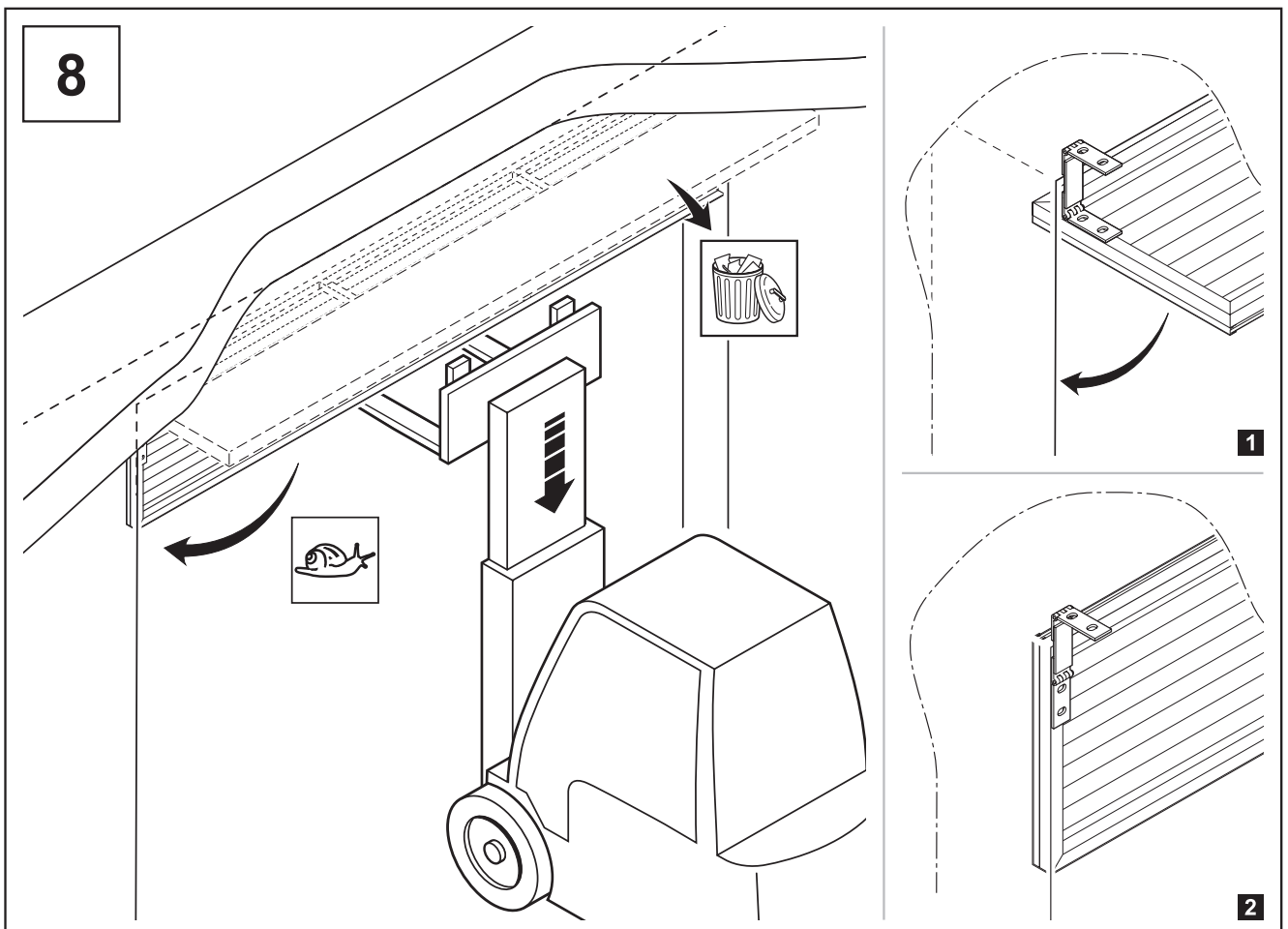
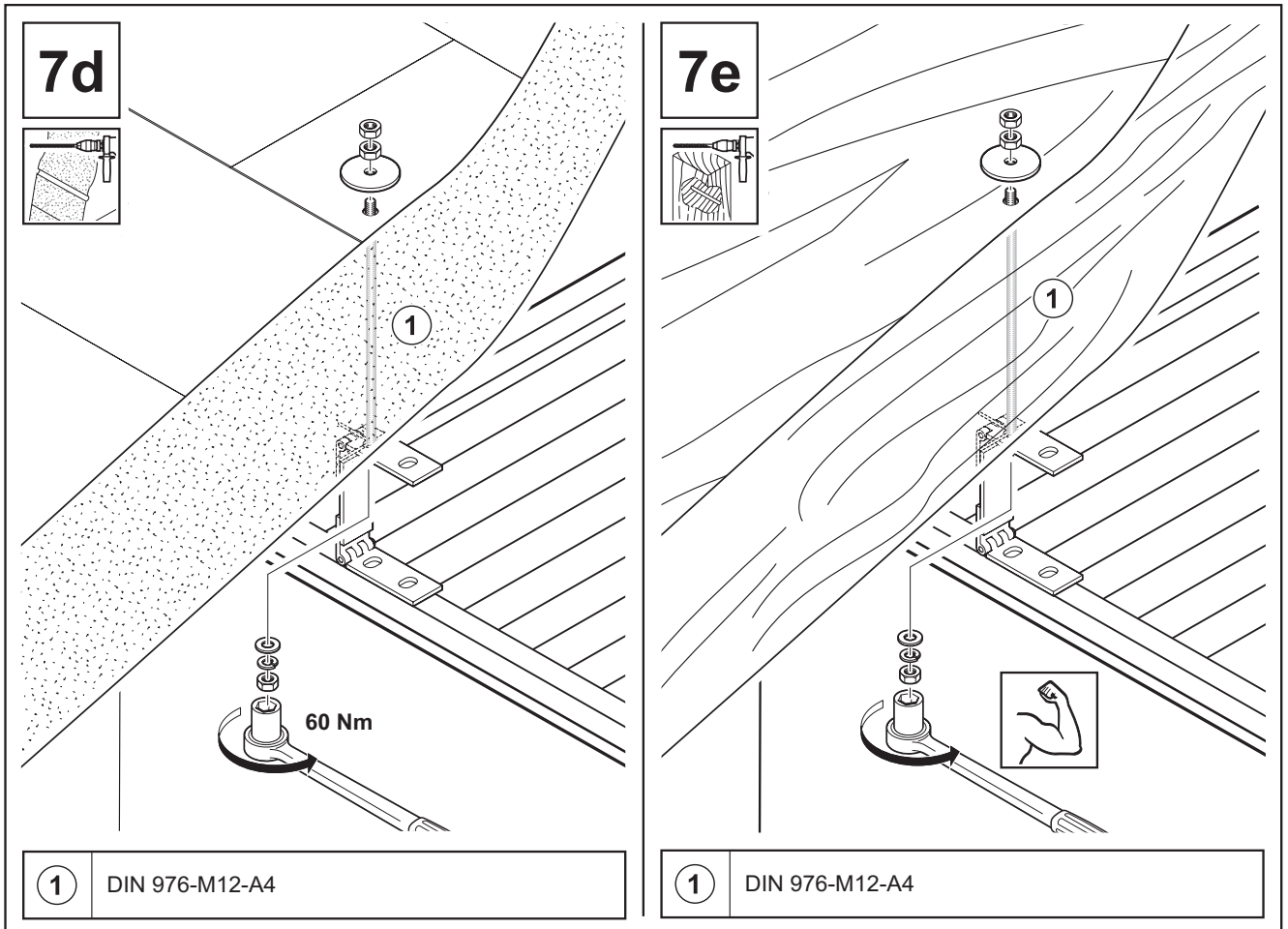




1 ISO 4017-M12 x 30-8.8-A2B

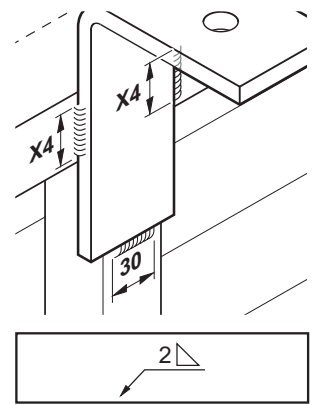
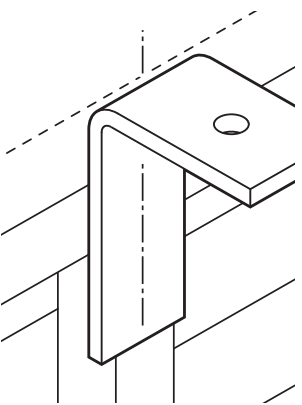
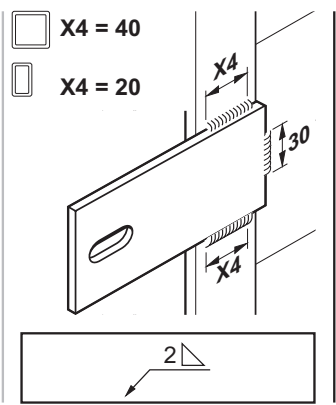
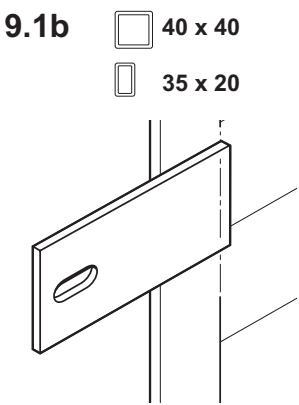
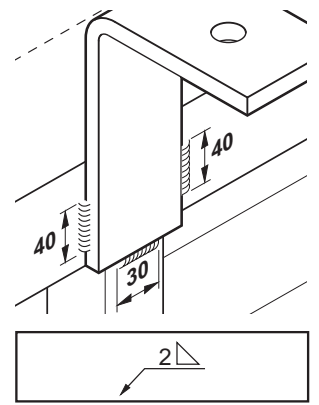
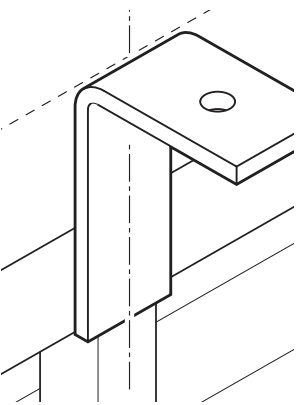
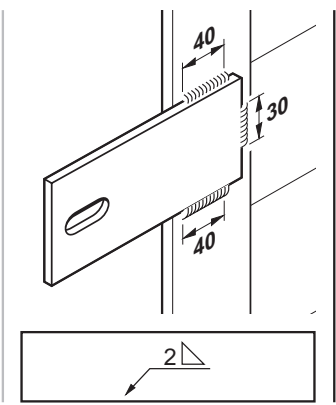
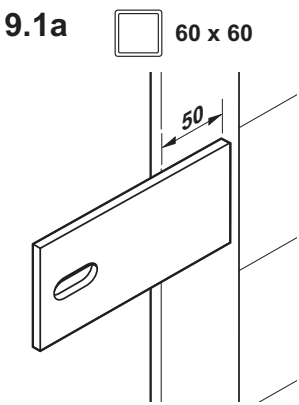
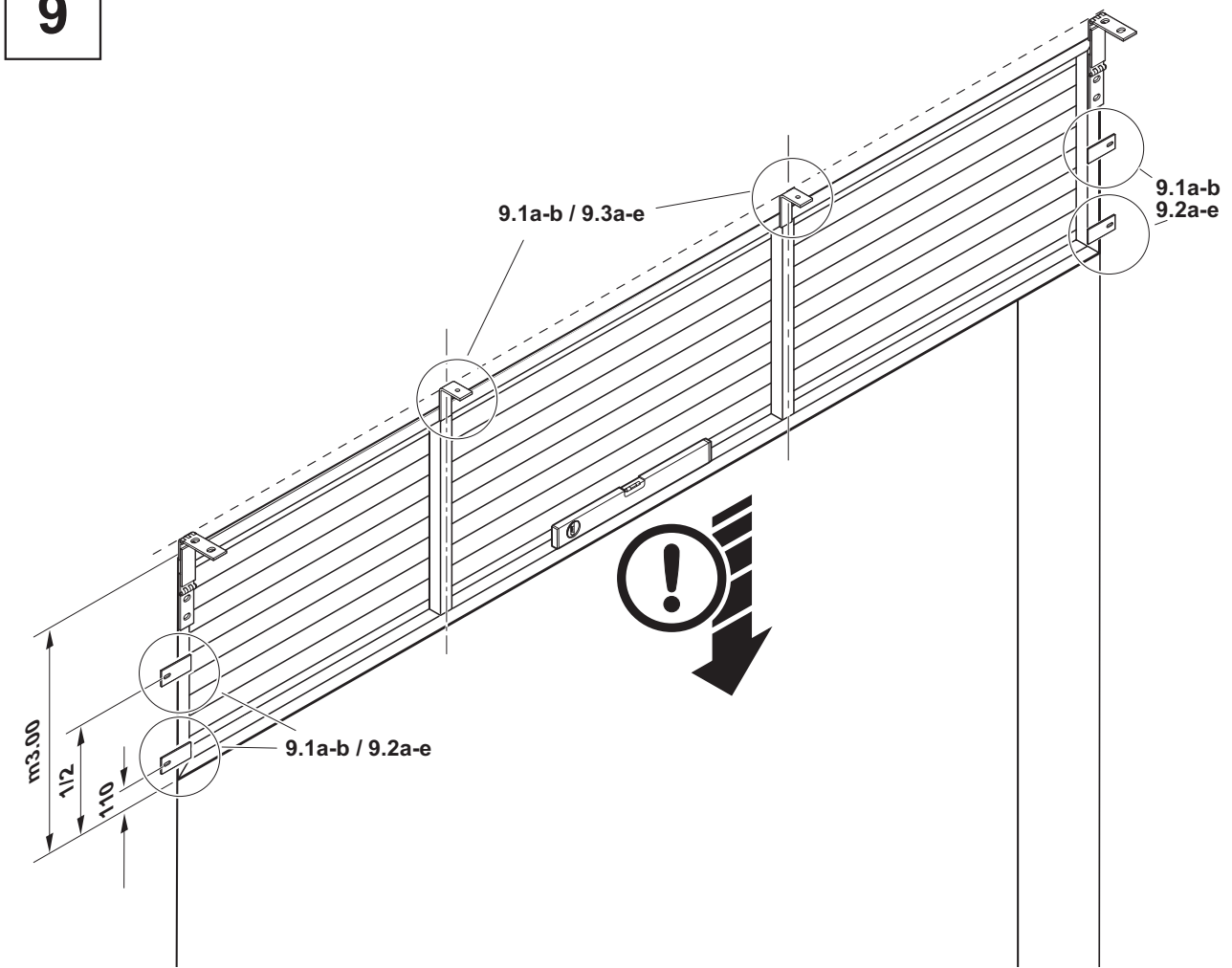


1 FAZ 12/10





9



Art. 9024201 – 9024209 / 90024220



9.2a

1 ISO 4017-M10 x 30-8.8-A2B

9.2b

2

9.2c

1 FAZ 10/10

9.2d

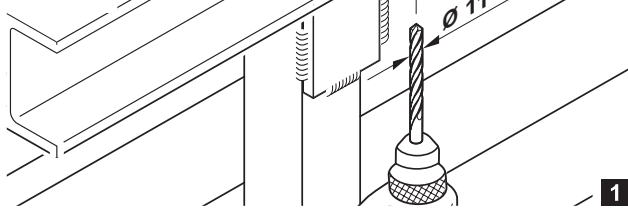
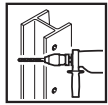
1 FUR 10 x 100 F SS

9.2e

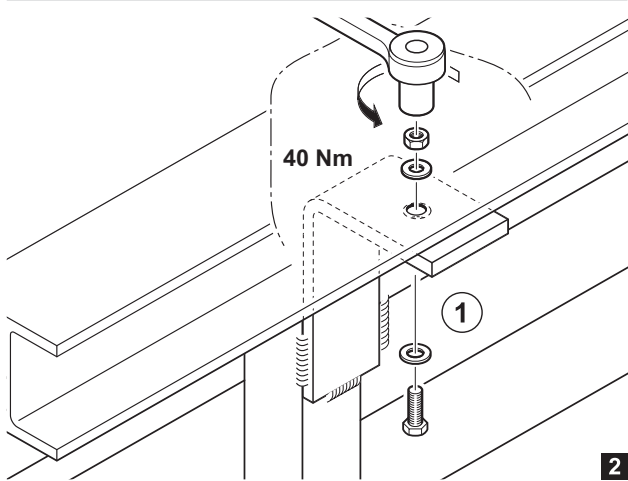
1 DIN 976-M10-A4



9.3a



1

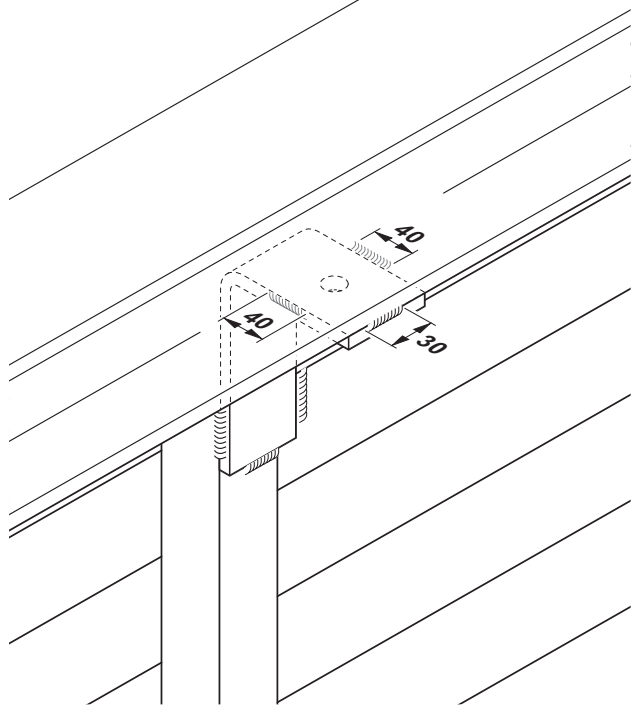


2

1

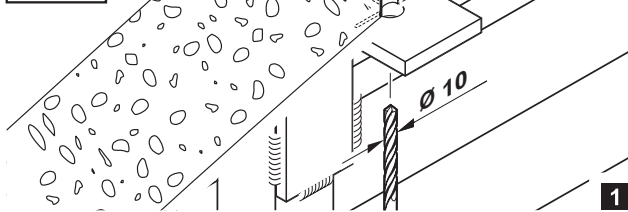
ISO 4017-M10 x 30-8.8-A2B

9.3b

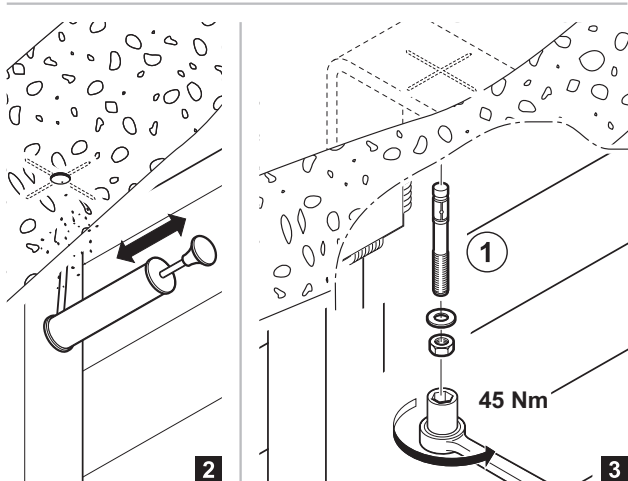


2

9.3c



1



3

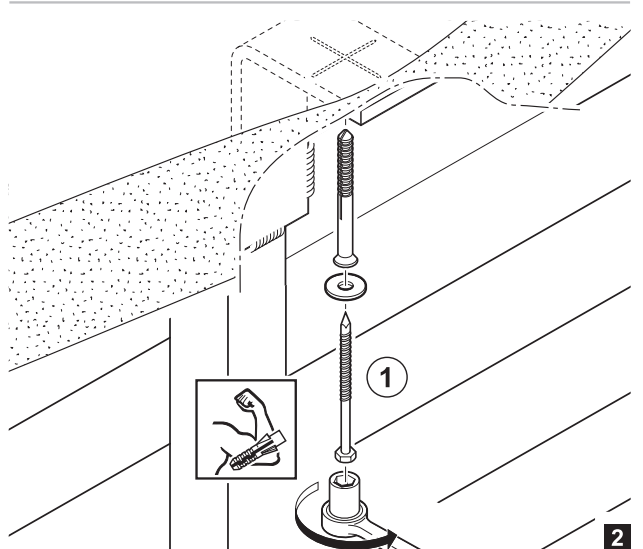
1

FAZ 10/10

9.3d



1



2

1

FUR 10 x 100 F SS

