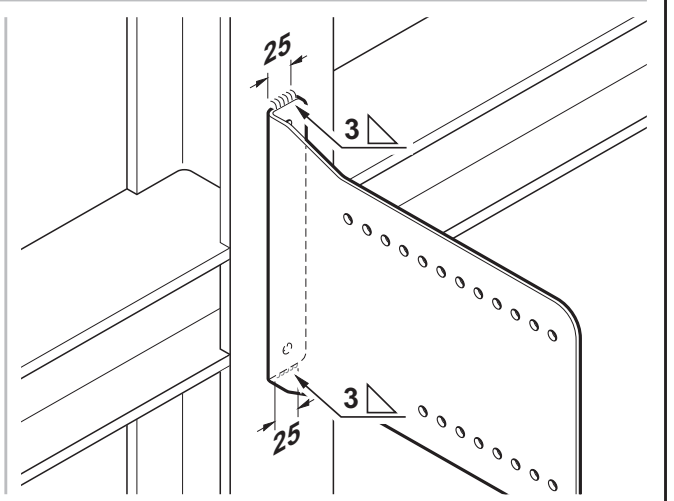
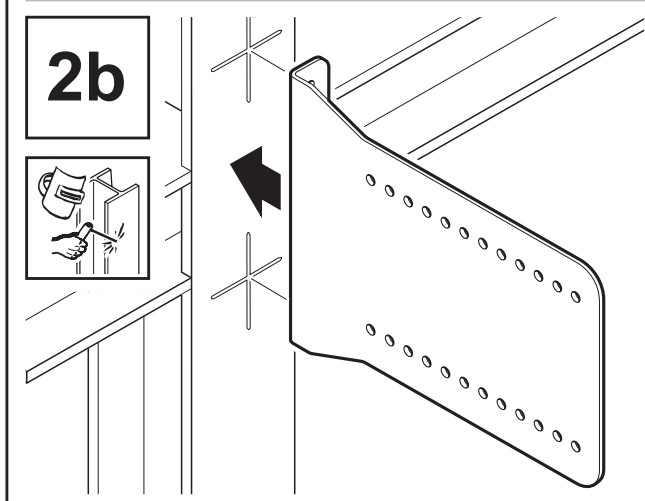
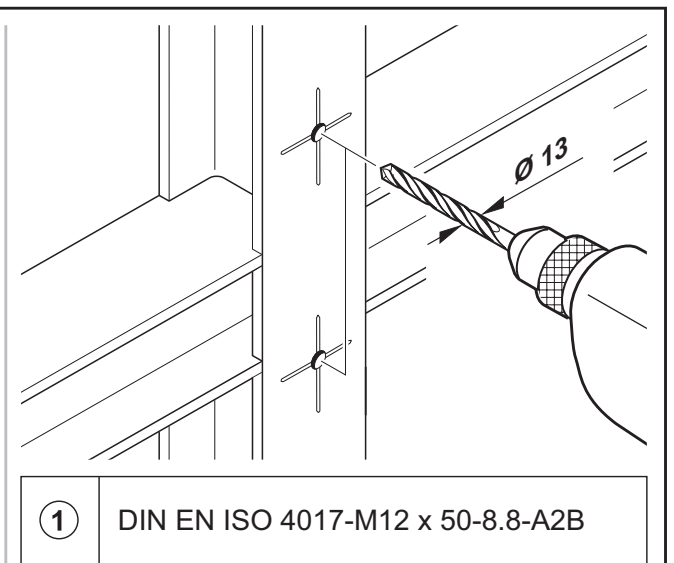
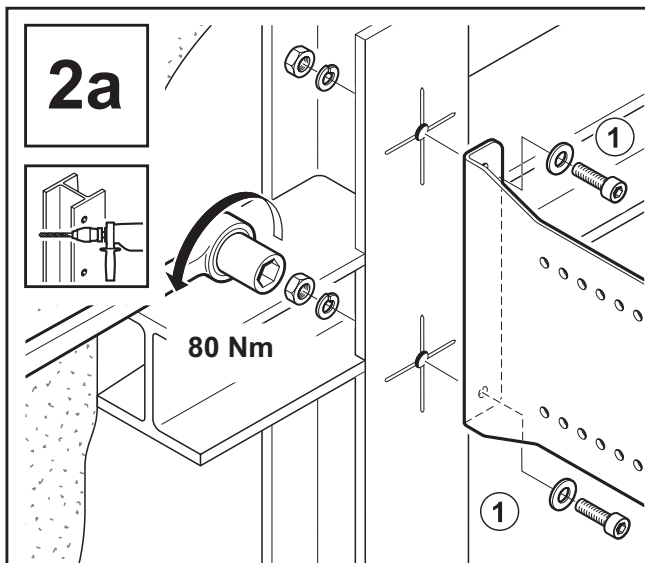
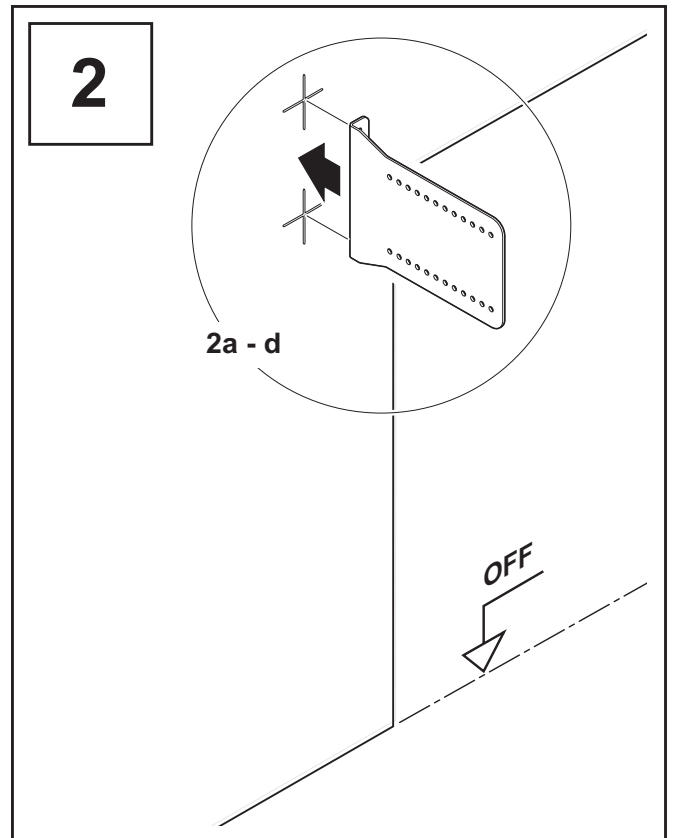
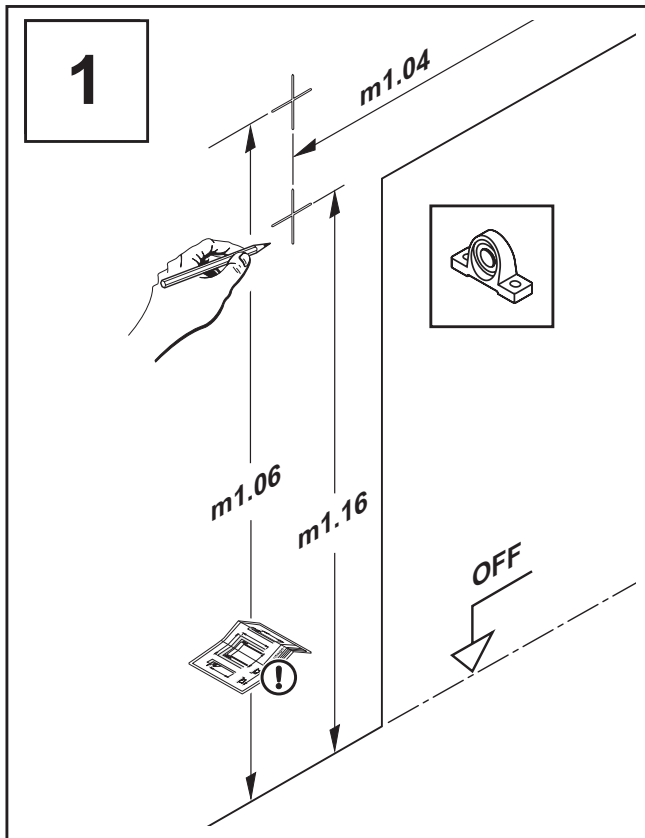


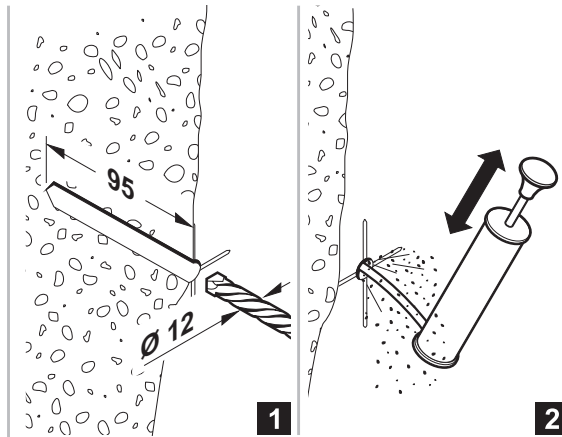
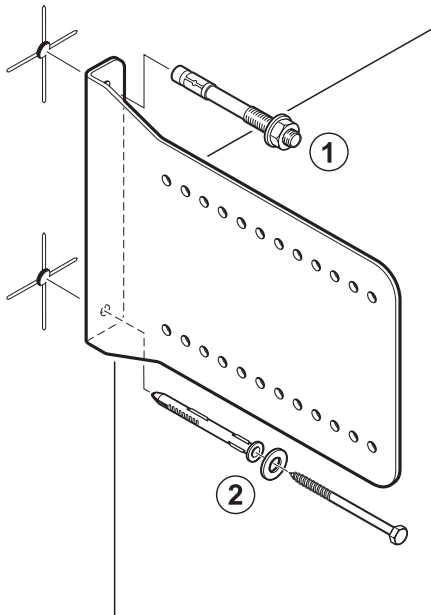
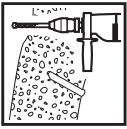
WFK 400



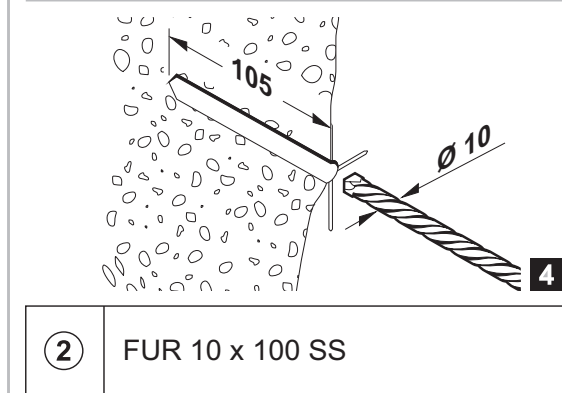
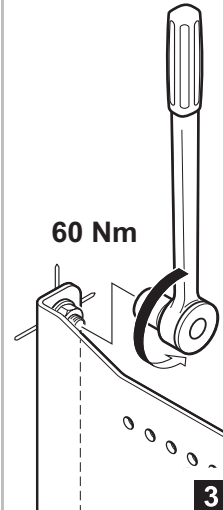
WFK 400



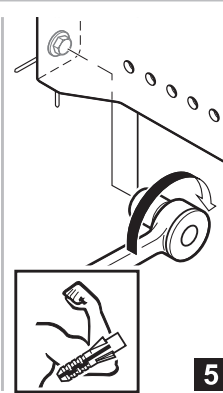
2c



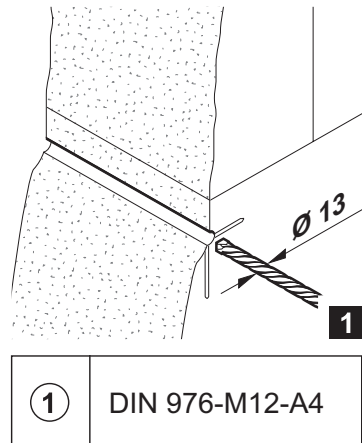
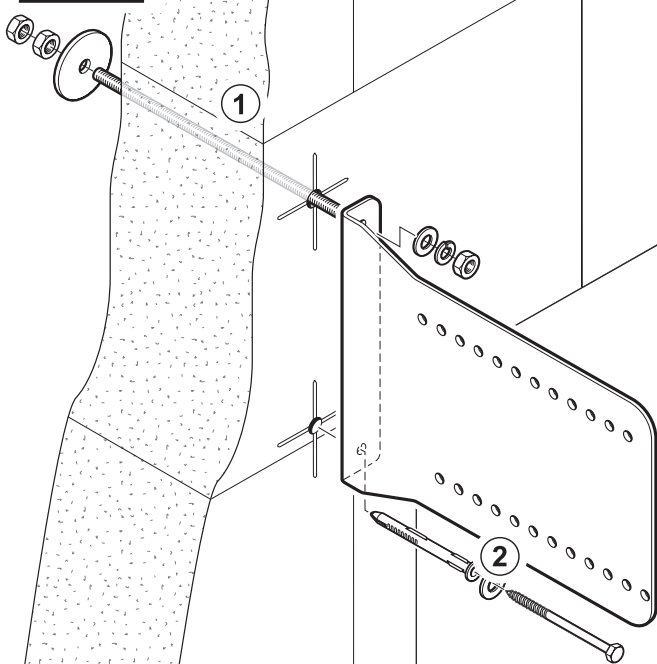
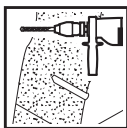
① FAZ 12/10



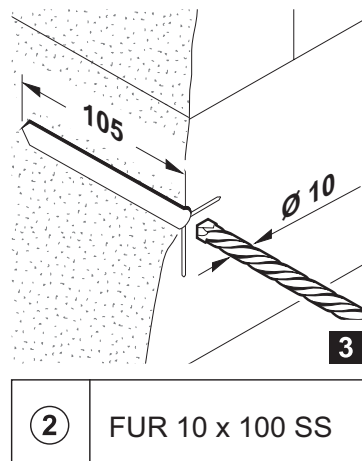
② FUR 10 x 100 SS



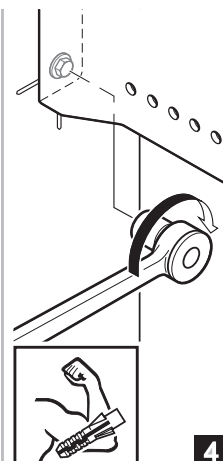
2d



① DIN 976-M12-A4



② FUR 10 x 100 SS



WFK 400



2e

1 $\text{Ø } 11$

2 15 Nm

1	DIN 976-M12-A4
2	GEKA Typ-D-TE50-M12

3

4 $\text{Ø } 10$
95 35

3	DIN 571 10 x 100
----------	------------------

5

3

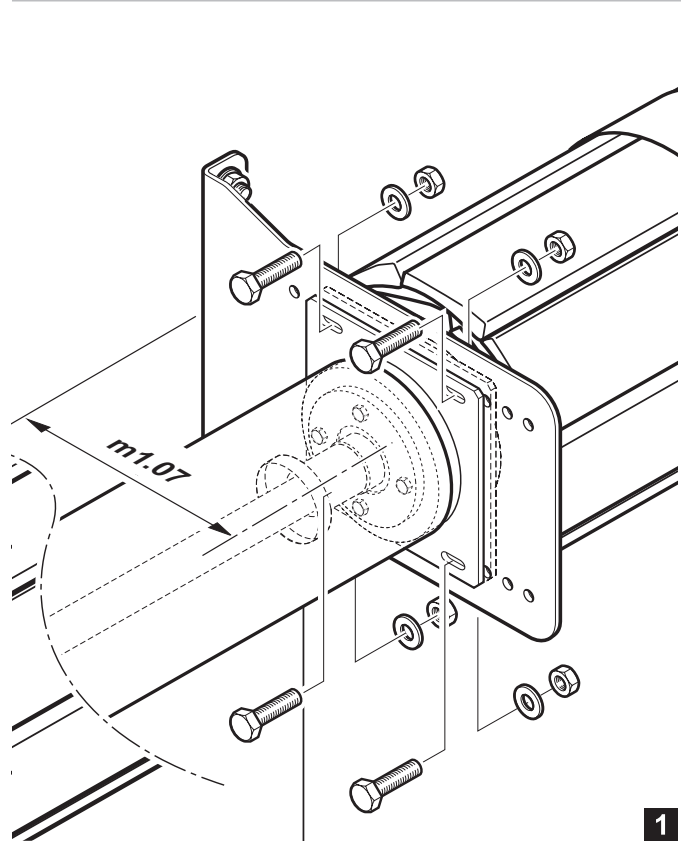
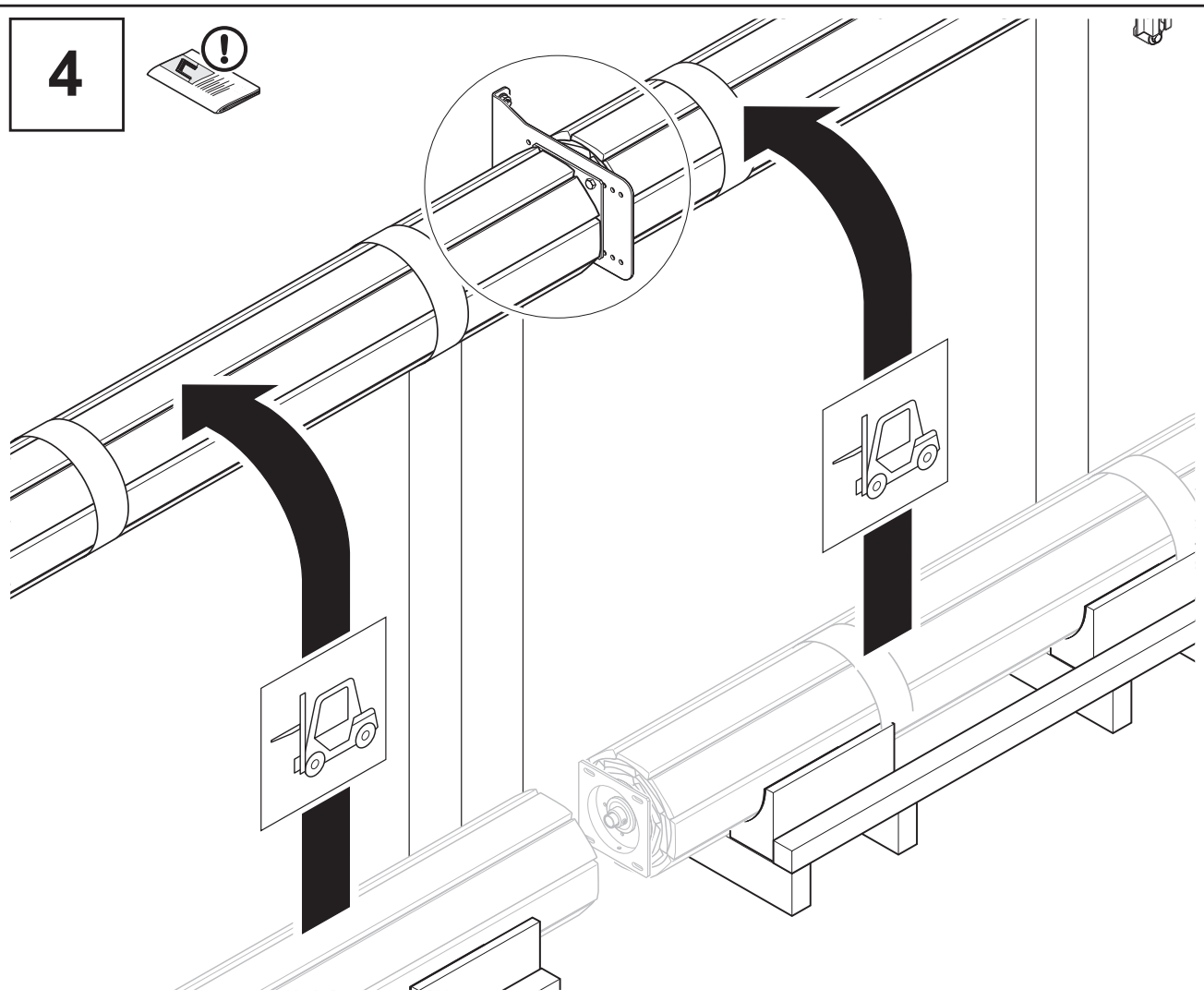
1

2

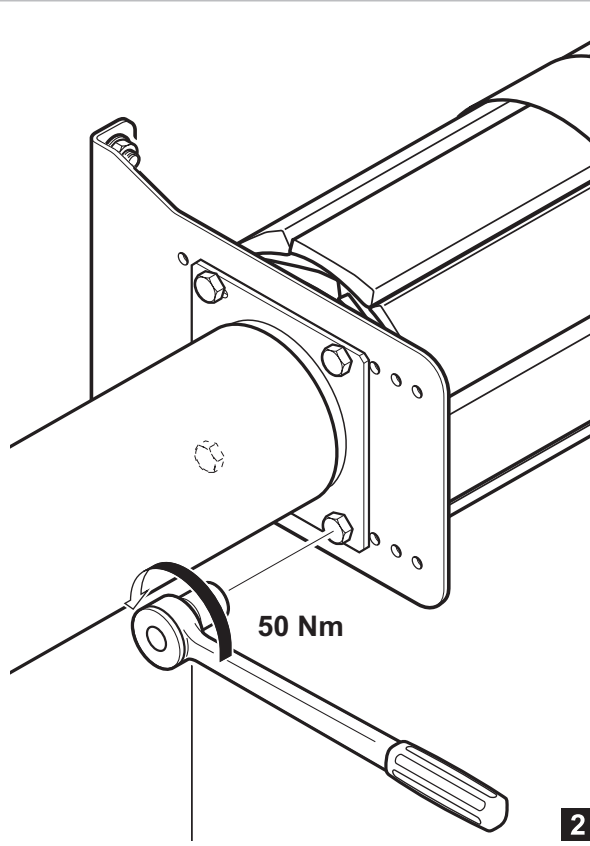
3 10 Nm



4



1



2